

# Operation and Maintenance Manual for GENTEC® Medical Gas Outlets



Genstar Technologies Co., Inc.  
4525 Edison Avenue  
Chino, CA 91710 USA  
TEL 909-606-2726  
FAX 909-606-6485  
[www.gentehealthcare.com](http://www.gentehealthcare.com)

## IMPORTANT SAFETY INSTRUCTIONS.



READ AND UNDERSTAND THESE INSTRUCTIONS COMPLETELY BEFORE OPERATING THIS EQUIPMENT.

If you do not understand any of these instructions, or if you have any questions regarding the use of this product, please contact your facility's training manager, your supervisor, the medical equipment dealer from whom the product was purchased, or the manufacturer before operating the equipment.

Do not attempt to repair this device if you have not been properly trained. Doing so may create a hazardous situation that may result in death or serious injury.

Carefully inspect and test this product before each use to ensure proper operation. Do not use the product if there are signs of damage or if it does not pass the initial inspection.

It is imperative that your hands and all tools used be clean and free of any oil or other contaminants before working on these products. Wear appropriate protective clothing when working on medical gas and vacuum products and systems.

Outlets may be under pressure, use care when disassembling. Do not stand in front of the outlet when removing the latch assembly.

---

---

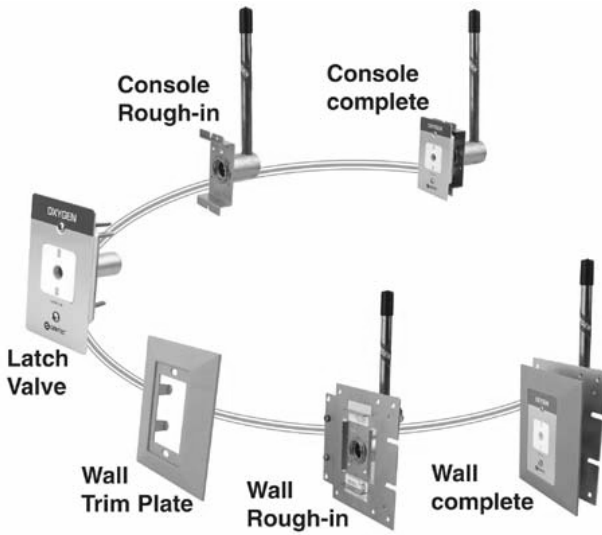
Genstar Technologies Co., Inc. (GENTEC®) manufactures four types of medical gas latch valve assemblies:

- Ohio (Ohmeda) compatible (also known as pin-indexed)
- Chemetron compatible (also known as positive-latch)
- Puritan-Bennett compatible (also known as geometrically keyed)
- DISS (Diameter Index Safety System).

Each latch valve assembly will accept only the appropriate adapter style.

GENTEC also manufactures six types of rough-in assemblies:

- Wall outlet with 90° pigtail
- Ceiling outlet with 180° pigtail
- Console outlet with 90° pigtail
- Console or column outlet with 180° pigtail
- Console outlet with 90° hose barb
- Console outlet with 90° DISS



The rough in assembly for any particular gas service will accept any of the four styles of latch valve assembly (i.e., any oxygen rough-in will accept Ohio, Chemetron, DISS or Puritan-Bennett oxygen latch valve assemblies).

#### OUTLET MAINTENANCE

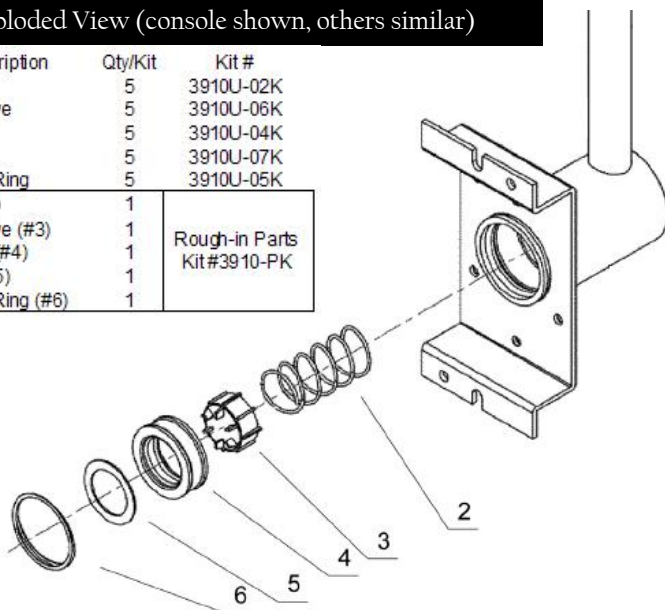
Outlets should be checked for proper latching and unlatching at each use. Flow rates and pressures should be checked periodically, at least once per year. Testing should be carried out in accordance with NFPA 99 “*Health Care Facilities*”, CSA Z305.1-92 “*Nonflammable Medical Gas Piping System*” and state and local codes, by authorized personnel only.

The outlets (rough-in and latch valve assemblies) are shipped from the factory cleaned for oxygen use, in individual sealed bags. The installed latch valve assembly and trim plate may be cleaned with a mild detergent or wiped with a disinfectant that is compatible with the powder coated wall trim plate, silk screened aluminum faceplate, and exposed ABS plastic surfaces. O-rings should be lubricated annually with a very small amount of oxygen-safe silicone lubricant. **DO NOT USE OIL OR PETROLEUM-BASED PRODUCTS AT ANY TIME ON ANY MEDICAL GAS OR VACUUM PRODUCTS.**

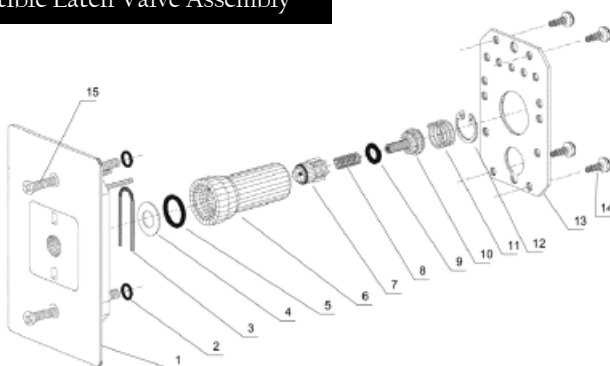
When testing outlets, make sure there are no leaks, with and without the adapter inserted. Make sure that the outlet is properly latching on the adapter. If the latch mechanism will not properly latch, make sure that you are using the proper adapter by inspecting for the proper gas service and connection style. Old, worn, or damaged adapters may cause leaks, latch improperly, or create other unsafe conditions. Make sure your adapters are in good condition. Adapters for most patient care products (flowmeters, suction regulators, etc.), as well as the products themselves, are available from your GENTEC dealer.

## Rough-in Exploded View (console shown, others similar)

Item #	Description	Qty/Kit	Kit #
2	Spring	5	3910U-02K
3	Check Valve	5	3910U-06K
4	Seal Ring	5	3910U-04K
5	Washer	5	3910U-07K
6	Retaining Ring	5	3910U-05K
	Spring (#2)	1	Rough-in Parts Kit #3910-PK
	Check Valve (#3)	1	
	Seal Ring (#4)	1	
	Washer (#5)	1	
	Retaining Ring (#6)	1	

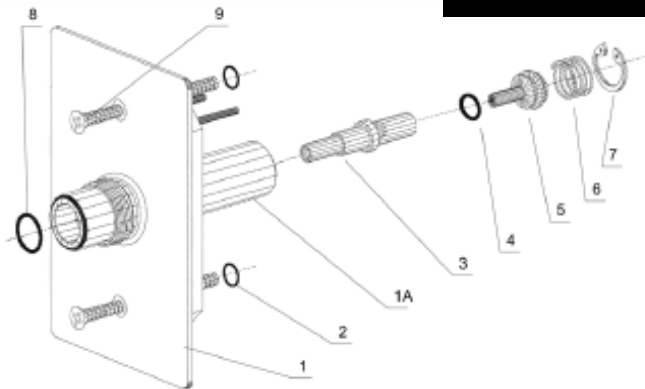


## Ohio Compatible Latch Valve Assembly



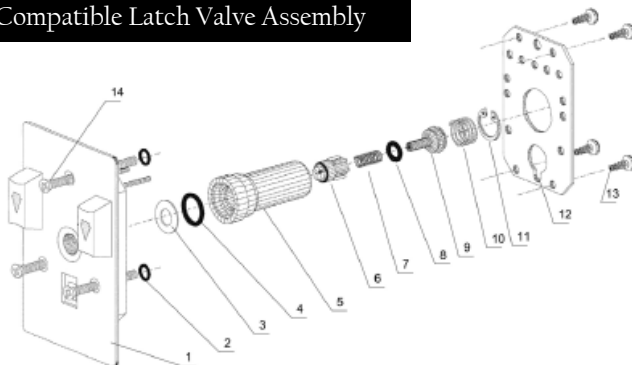
Item #	Description	Qty/Kit	Kit #	Item #	Description	Qty/Kit	Kit #
5	Connector O-Ring	10	3998X-10K	2	Mounting Screw O-ring	10	Part of 3911U-12K
9	Valve O-Ring	10	3911U-07K	1	Panel Assembly, Oxygen	1	3911U-O-01
7	Dust Cap	5	3911U-05K	1	Panel Assembly, Vacuum	1	3911U-V-01
8	Cap Spring	5	3911U-06K	1	Panel Assembly, Medical Air	1	3911U-A-01
10	Check Valve	5	3911U-08K	1	Panel Assembly, N2O	1	3911U-2-01
11	Valve Spring, Pressure Service	5	3911U-09AK	1	Panel Assembly, WAGD	1	3911U-W-01
11	Valve Spring, Vacuum Service	5	3911U-09BK		Connector O-Ring (#5)	1	Internal Parts Kit #3911-PAK (Pressure Service), #3911-PBK (Vacuum Service)
12	C-Spring Clip	5	3911U-10K		Valve O-Ring (#9)	1	
3	U-Spring	5	3911U-02K		Dust Cap (#7)	1	
4	Washer	5	3911U-03K		Cap Spring (#8)	1	
6	Connector	5	3911U-04K		Check Valve (#10)	1	
13	Retaining Plate	5	3911U-11K		Valve Spring (#11)	1	
14	Screws	20	Part of 3911U-11K		C-Spring Clip (#12)	1	
15	Mounting Screw	10	3911U-12K				

## DISS Latch Valve Assembly



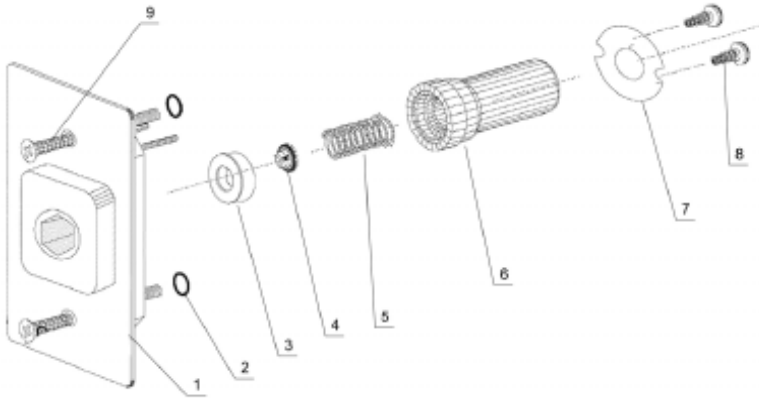
Item #	Description	Qty/Kit	Kit #	Item #	Description	Qty/Kit	Kit #
8	Connector O-Ring, Oxygen, Air	10	3912U-04AK	9	Mounting Screw	10	3911U-12K
8	Connector O-Ring, Vacuum, WAGD	10	3912U-04BK	2	Mounting Screw O-ring	10	Part of 3911U-12K
8	Connector O-Ring, N2O	10	3912U-04CK	1	Panel Assembly, Oxygen	1	3912U-O-01
8	Connector O-Ring, Nitrogen	10	3912U-04DK	1	Panel Assembly, Vacuum	1	3912U-V-01
8	Connector O-Ring, CO2	10	3912U-04EK	1	Panel Assembly, Medical Air	1	3912U-A-01
4	Valve O-Ring	10	3911U-07K	1	Panel Assembly, N2O	1	3912U-2-01
3	Valve Stem, Oxygen	5	3912U-03AK	1	Panel Assembly, WAGD	1	3912U-W-01
3	Valve Stem, Vacuum, WAGD	5	3912U-03BK	1	Panel Assembly, CO2	1	3912U-C-01
3	Valve Stem, Air, N2O, CO2, Nit	5	3912U-03CK	1	Panel Assembly, Nitrogen	1	3912U-N-01
5	Check Valve	5	3913U-02K		Valve O-Ring (#4)	1	
6	Valve Spring	5	3913U-09K		Check Valve (#5)	1	Internal Parts Kit #3912-PK
7	C-Spring Clip	5	3911U-10K		Valve Spring (#6)	1	
					C-Spring Clip (#7)	1	

## Chemetron Compatible Latch Valve Assembly



Item #	Description	Qty/Kit	Kit #	Item #	Description	Qty/Kit	Kit #
5	Connector O-Ring	10	3998X-10K	2	Mounting Screw O-ring	15	Part of 3913U-12K
8	Valve O-Ring	10	3911U-07K	1	Panel Assembly, Oxygen	1	3913U-O-01
6	Dust Cap	5	3911U-05K	1	Panel Assembly, Vacuum	1	3913U-V-01
7	Cap Spring	5	3911U-06K	1	Panel Assembly, Medical Air	1	3913U-A-01
9	Check Valve	5	3913U-02K	1	Panel Assembly, N2O	1	3913U-2-01
10	Valve Spring	5	3911U-09K	1	Panel Assembly, WAGD	1	3913U-W-01
11	C-Spring Clip	5	3911U-10K		Connector O-Ring (#5)	1	Internal Parts Kit #3913-PK
3	Washer	5	3911U-03K		Valve O-Ring (#8)	1	
5	Connector	5	3911U-04K		Dust Cap (#6)	1	
12	Retaining Plate	5	3911U-11K		Cap Spring (#7)	1	
13	Screws	20	Part of 3911U-11K		Check Valve (#9)	1	
14	Mounting Screw	15	3913U-12K		Valve Spring (#10)	1	
					C-Spring Clip (#11)	1	

## Puritan-Bennett Compatible Latch Valve Assembly



Item #	Description	Qty/Kit	Kit #
3	Seal Ring	5	3914U-02K
4	Check Valve	5	3914U-03K
5	Valve Spring	5	3914U-04K
6	Connector	5	3914U-05K
7	Retaining Ring	5	3914U-06K
8	Screws	10	Part of 3914U-06K
9	Mounting Screw	10	3911U-12K
2	Mounting Screw O-ring	10	Part of 3911U-12K
1	Panel Assembly, Oxygen	1	3914U-O-01
1	Panel Assembly, Vacuum	1	3914U-V-01
1	Panel Assembly, Medical Air	1	3914U-A-01
1	Panel Assembly, N2O	1	3914U-2-01
1	Panel Assembly, WAGD	1	3914U-W-01
	Seal Ring (#3)	1	Internal Parts Kit #3914-PK
	Check Valve (#4)	1	
	Valve Spring (#5)	1	

### MISCELLANEOUS PARTS

Description	Part #
Trim Plate for Wall Outlet	304760640
Adapter, Ohio x 1/8" MNPT	3101-XXX-NT2
Adapter, DISS x 1/8" MNPT	3102-XXX-NT2
Adapter, Chemetron x 1/8" MNPT	3103-XXX-NT2
Adapter, P-B x 1/8" MNPT	3104-XXX-NT2

NOTE: Substitute Gas Service for XXX above as follows:

Oxygen	OXY
Vacuum	VAC
Medical Air	AIR
Nitrous Oxide	N2O
WAGD	WAG
Nitrogen	NIT
Carbon Dioxide	CO2

# Latch Assembly & Adapter Identification

Adapter

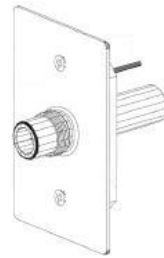
Latch Assembly



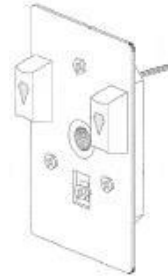
Ohio (Ohmeda)  
Compatible



DISS  
(Diameter Index  
Safety System)



Chemetron Compatible



Puritan-Bennett  
Compatible





Genstar Technologies Co., Inc.  
4525 Edison Avenue  
Chino, CA 91710 USA  
TEL 909-606-2726 or 800-333-0811  
FAX 909-606-6485 or 800-999-1478  
[www.gentehealthcare.com](http://www.gentehealthcare.com)

Form No. 9-OM-MGO

© Copyright Genstar Technologies Nov 2007