

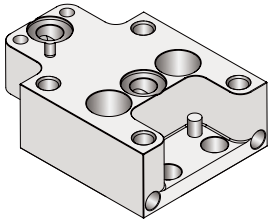


IGS

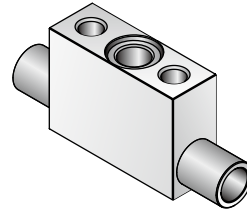
Base Block

TABLE OF CONTENTS

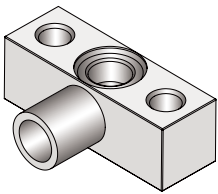
Solutions for Life



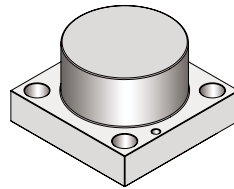
02.-05. Substrate



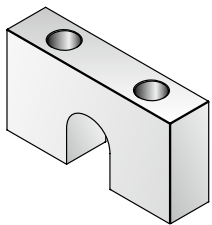
05.-07. Manifold



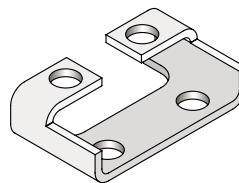
08.-09. Flange



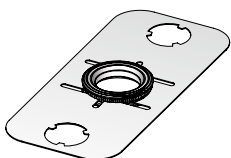
09. Cap



09. Mount Block



10. Bracket



11. C-Seal

Base Block

Base Blocks are modular substrate components for building integrated gas systems.

Features

- **Reduce footprint**

Using surface mount blocks provides a method of building gas delivery systems with reduced footprint compared to traditional in-line face-seal construction.

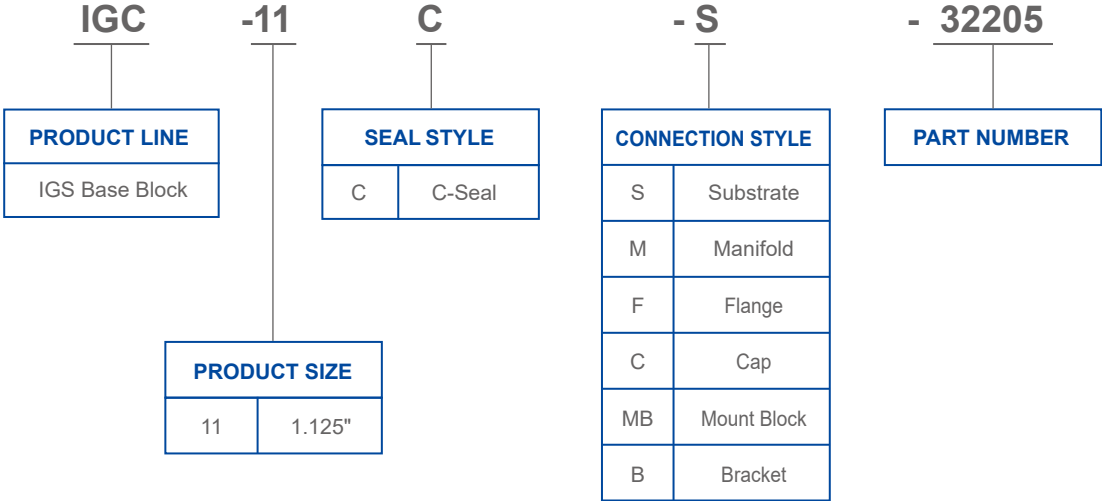
- **Modular configuration**

Modular base blocks allows for easy configuration and flexibility in constructing required flow paths without the need for any welded assemblies.

- **Ease of Maintenance**

Base block technology simplifies maintenance with easy access to surface mounted blocks for replacement or servicing.

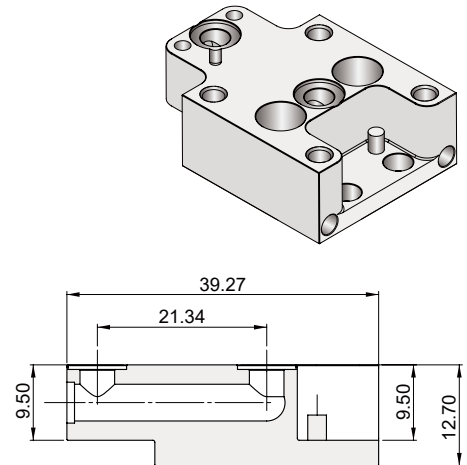
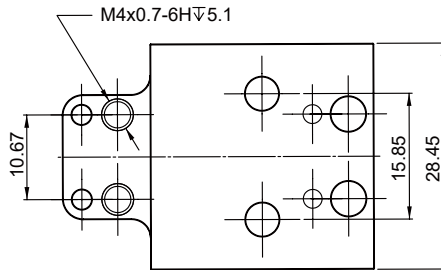
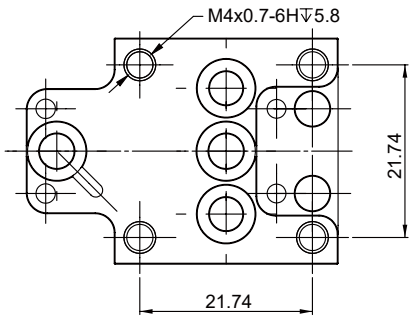
Ordering Information



SUBSTRATE

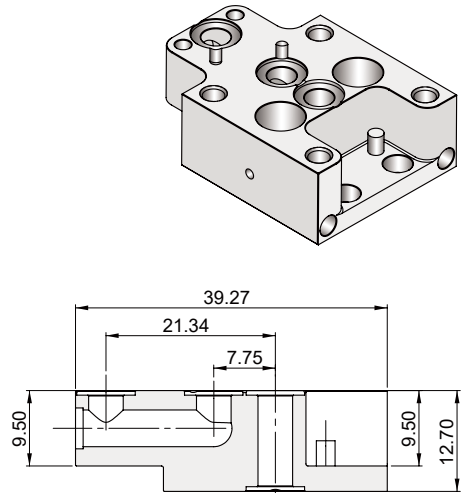
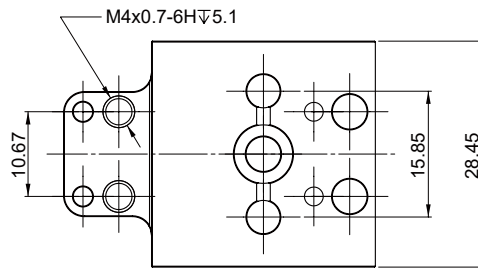
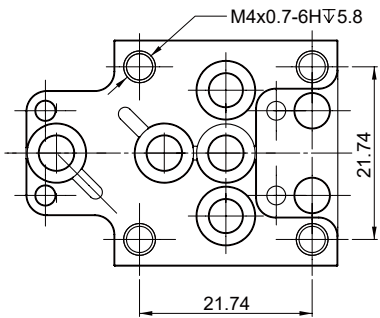
Solutions for Life

Substrate | IGC-11C-S-32205



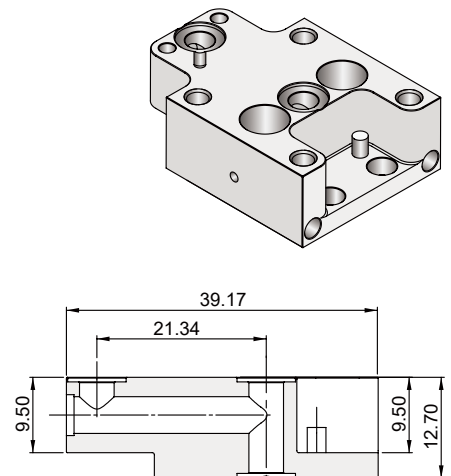
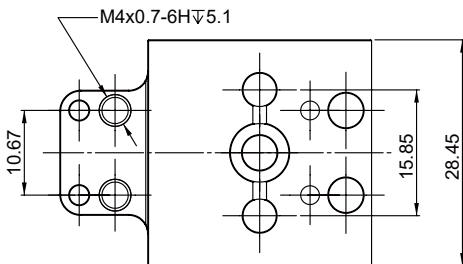
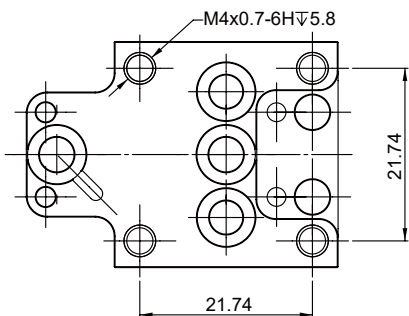
unit: mm

Substrate | IGC-11C-S-32209



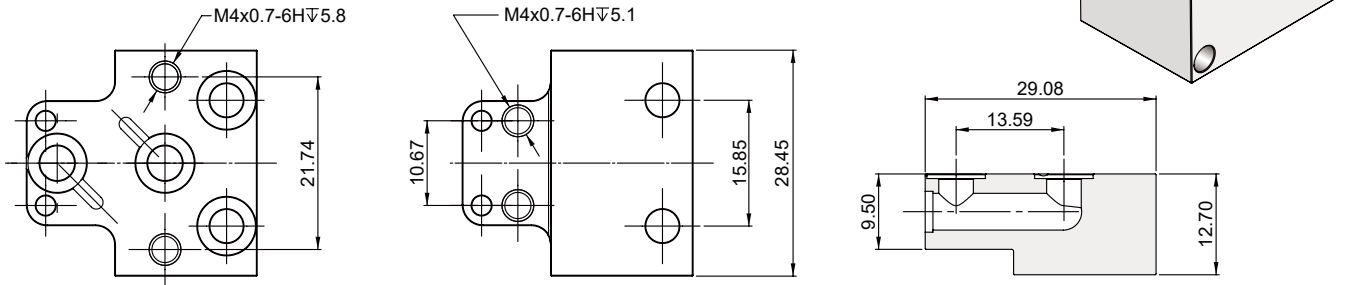
unit: mm

Substrate | IGC-11C-S-32212



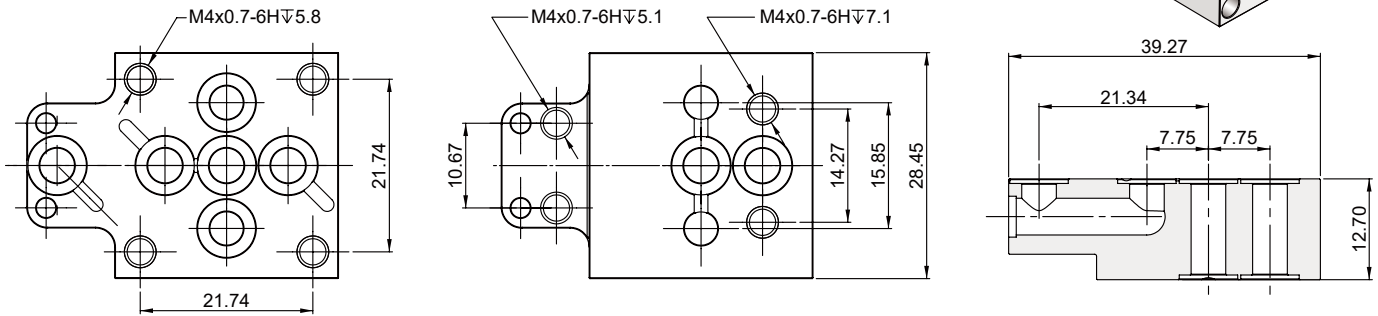
unit: mm

Substrate | IGC-11C-S-32213



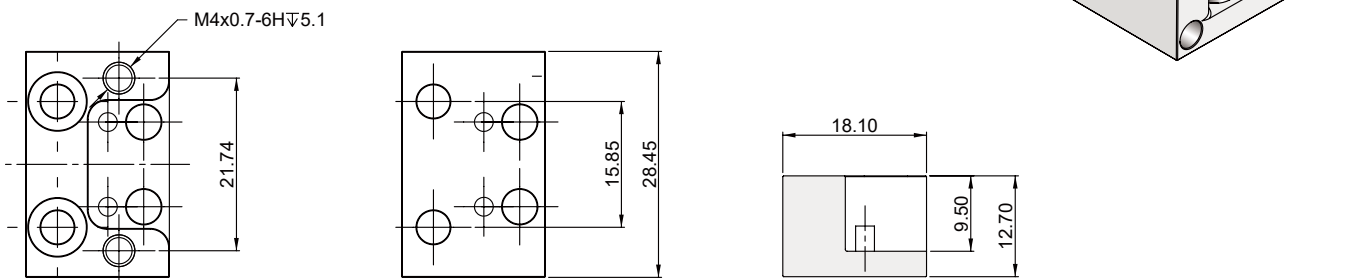
unit: mm

Substrate | IGC-11C-S-32208



unit: mm

Substrate | IGC-11C-S-32214

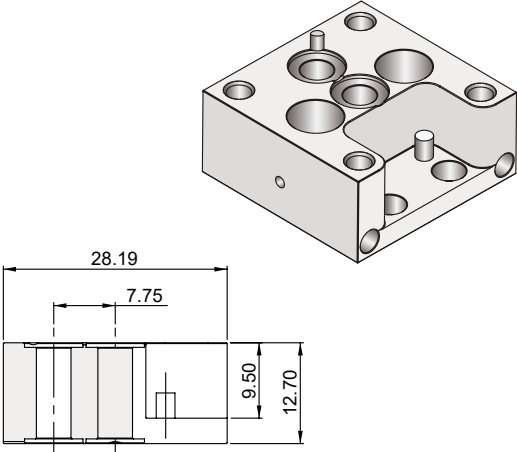
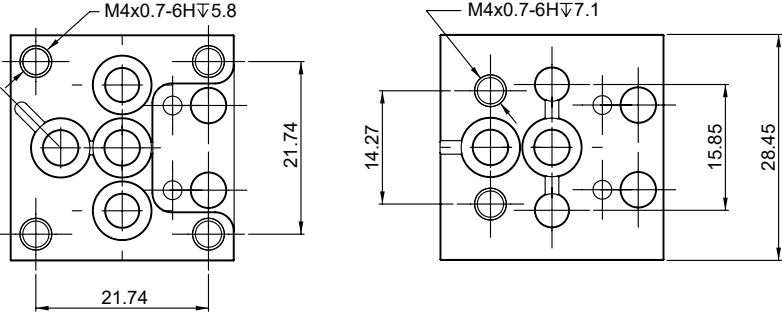


unit: mm

SUBSTRATE

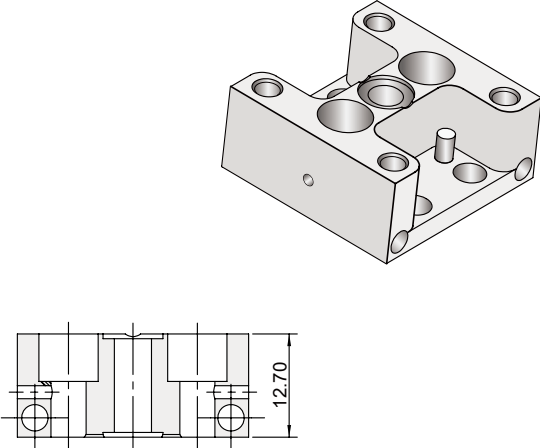
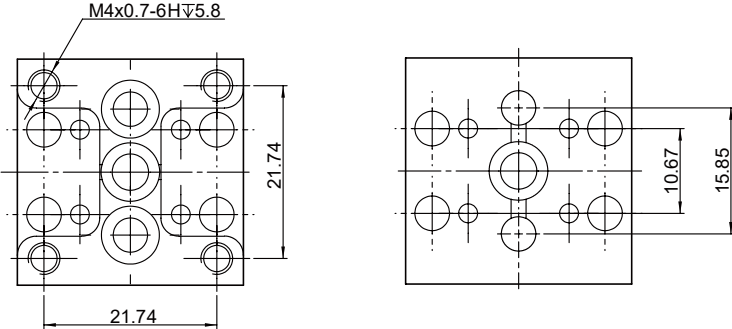
Solutions for Life

Substrate | IGC-11C-S-32206



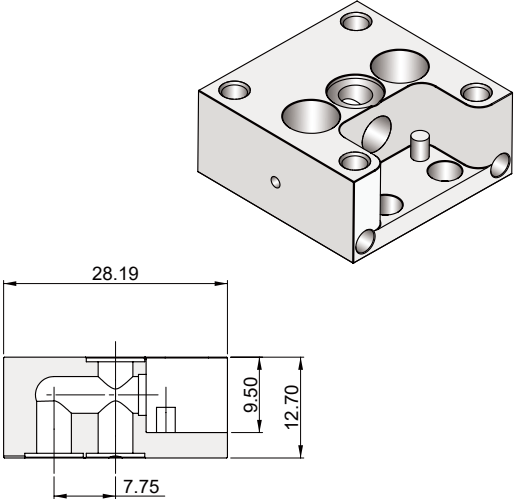
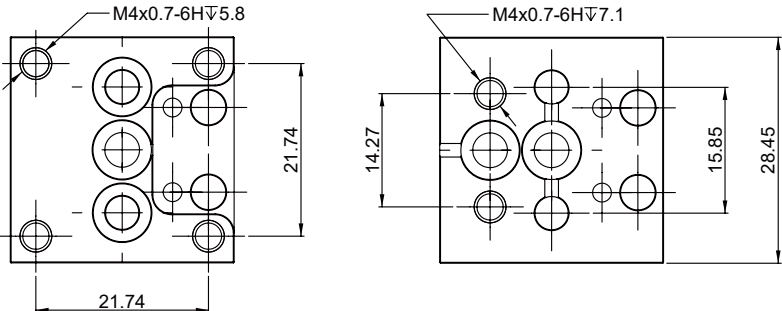
unit: mm

Substrate | IGC-11C-S-32207



unit: mm

Substrate | IGC-11C-S-32210

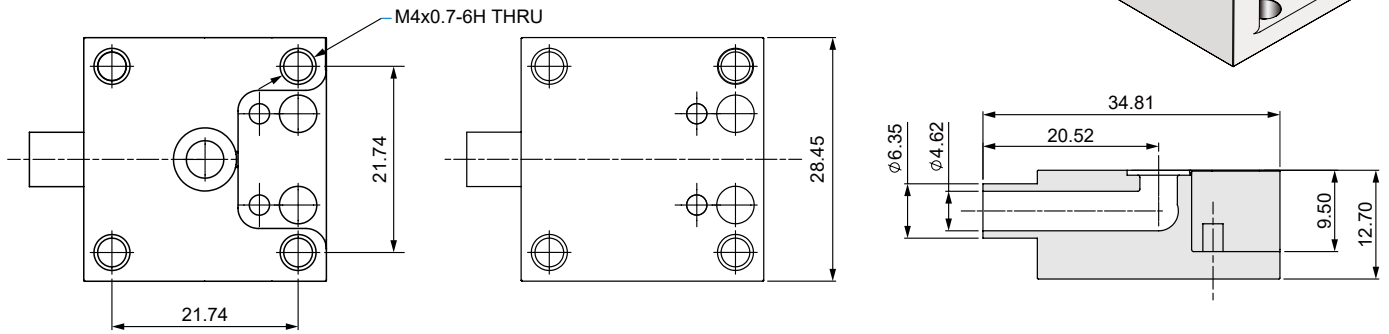


unit: mm

SUBSTRATE/MANIFOLD

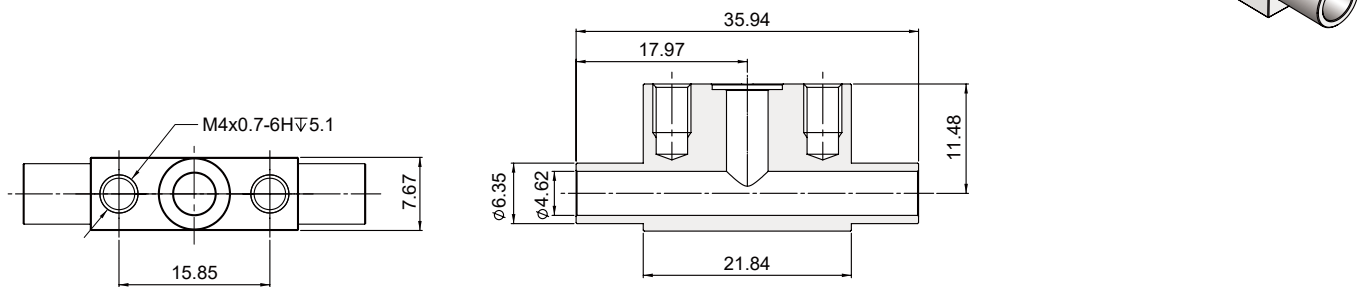
Solutions for Life

Substrate | IGC-11C-S-34476



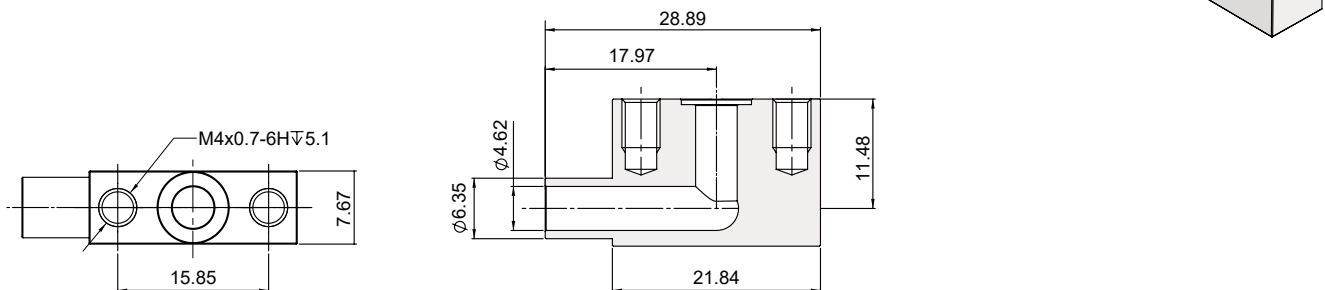
unit: mm

Manifold | IGC-11C-M-32223



unit: mm

Manifold | IGC-11C-M-32221

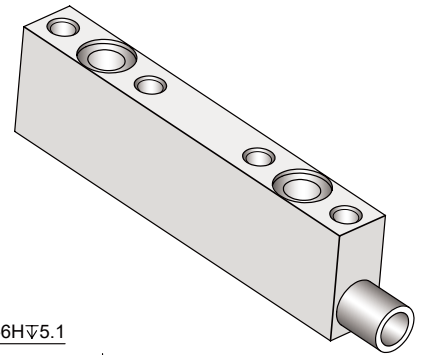
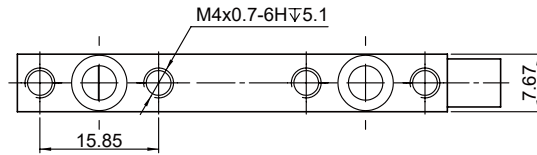
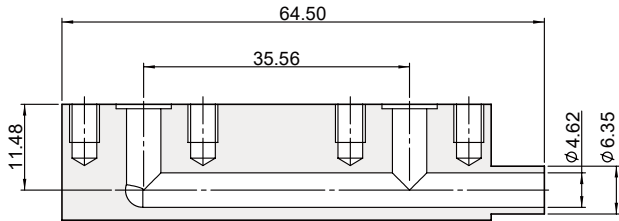


unit: mm

MANIFOLD

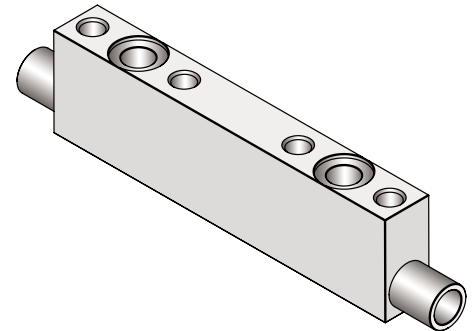
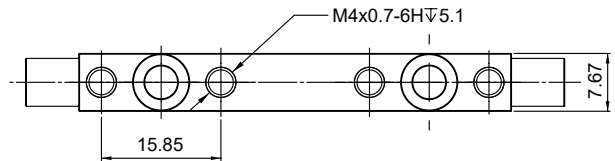
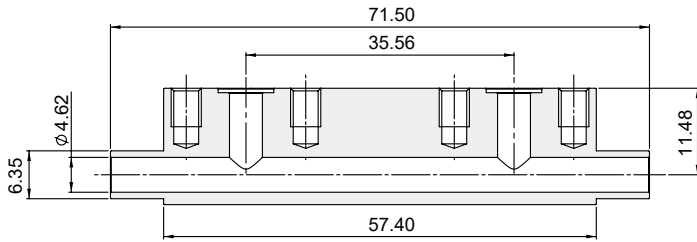
Solutions for Life

Manifold | IGC-11C-M-32222



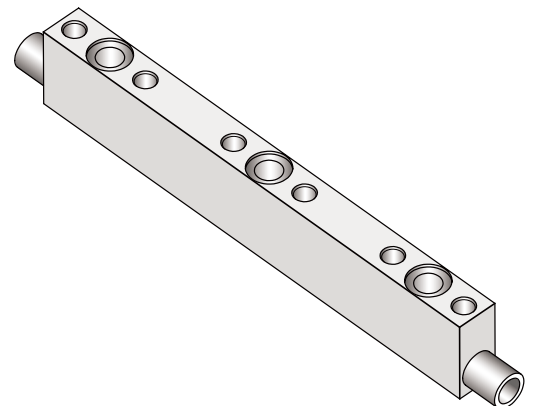
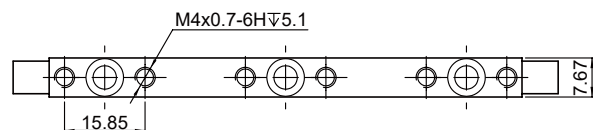
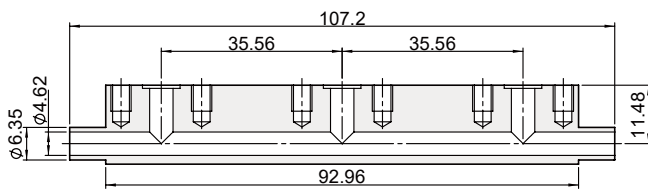
unit: mm

Manifold | IGC-11C-M-32224



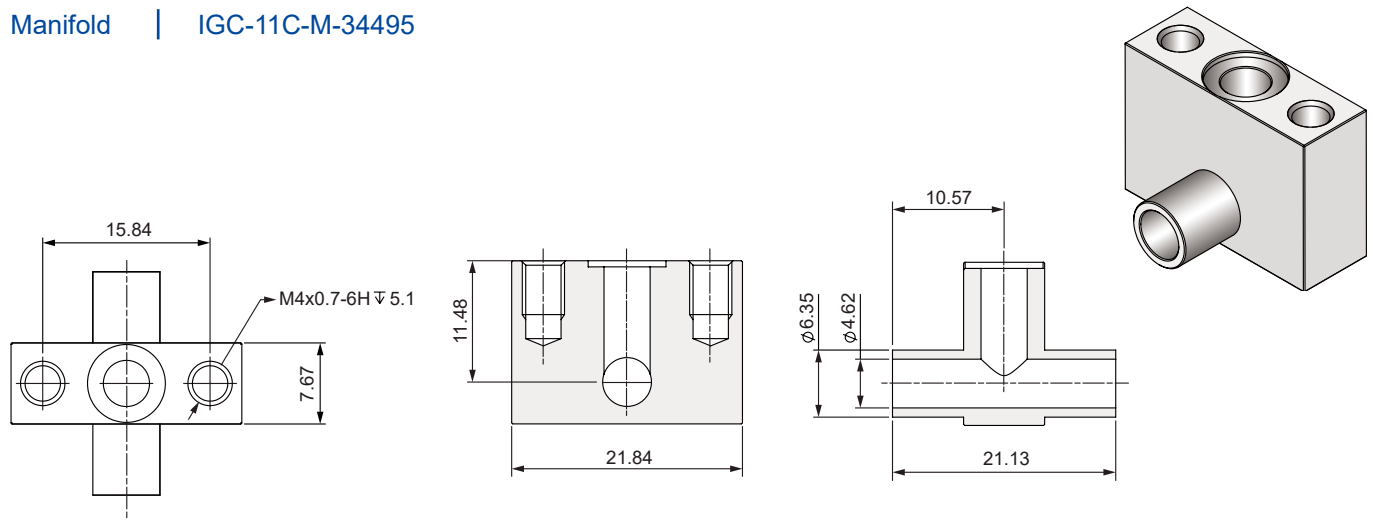
unit: mm

Manifold | IGC-11C-M-32225



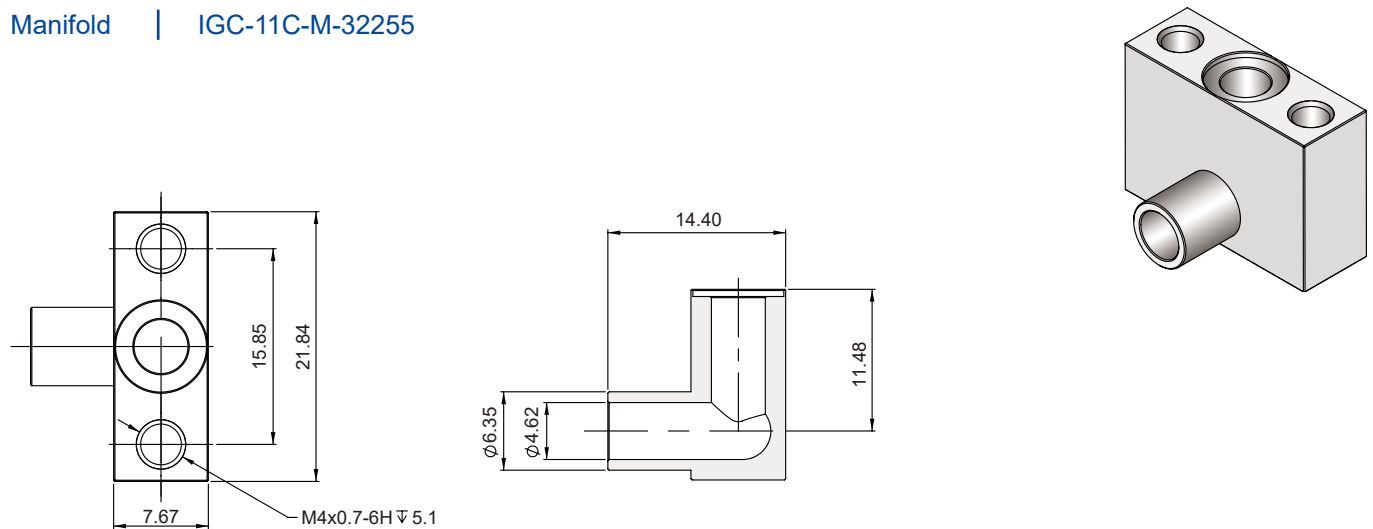
unit: mm

Manifold | IGC-11C-M-34495



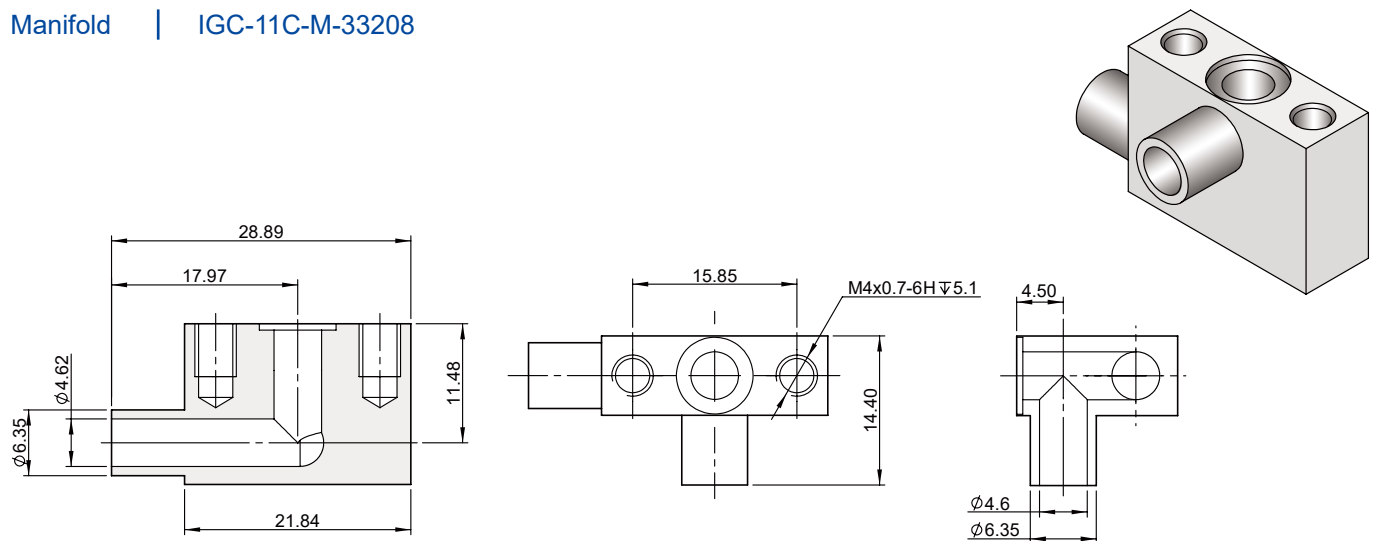
unit: mm

Manifold | IGC-11C-M-32255



unit: mm

Manifold | IGC-11C-M-33208

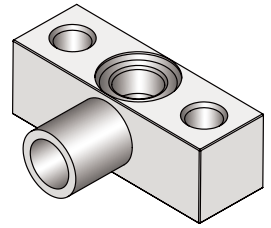
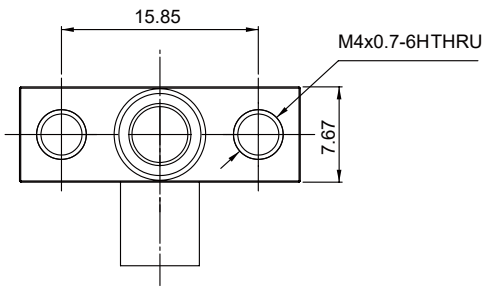


unit: mm

FLANGE

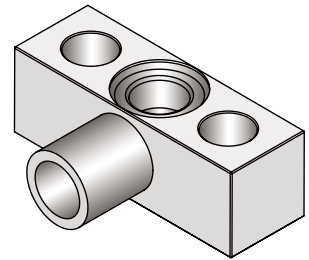
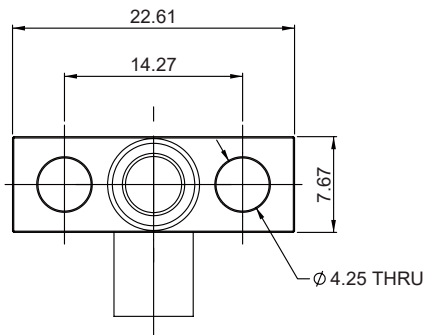
Solutions for Life

Flange | IGC-11C-F-32218



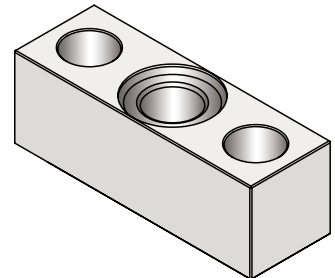
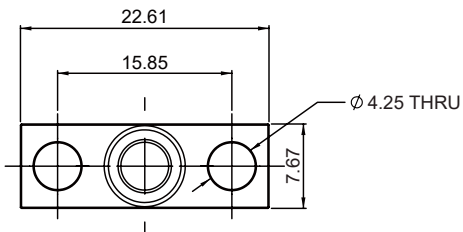
unit: mm

Flange | IGC-11C-F-32215



unit: mm

Flange | IGC-11C-F-32258

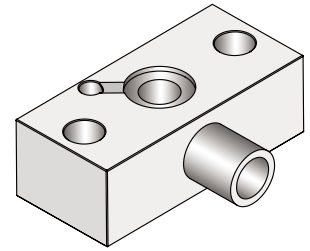
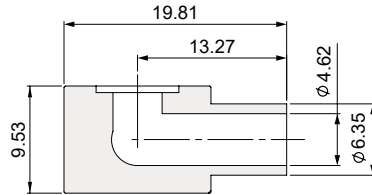
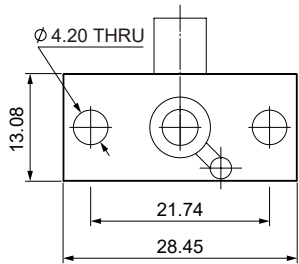


unit: mm

FLANGE/CAP/MOUNT BLOCK

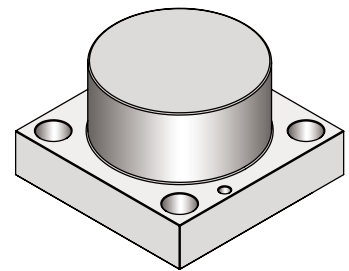
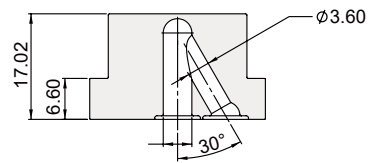
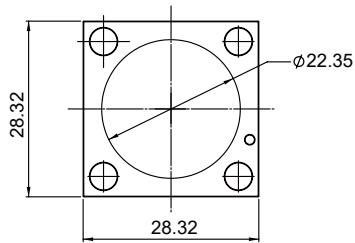
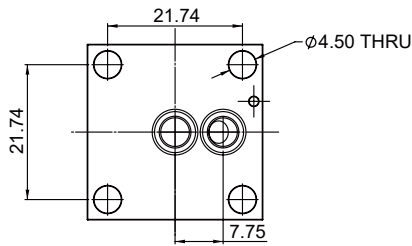
Solutions for Life

Flange | IGC-11C-F-32229



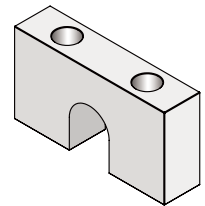
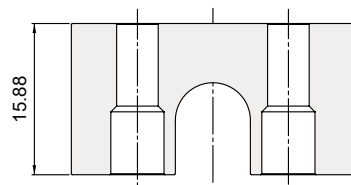
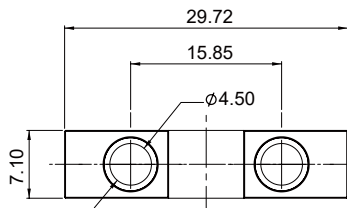
unit: mm

Cap | IGC-11C-C-32268



unit: mm

Mount Block | IGC-11C-MB-32226

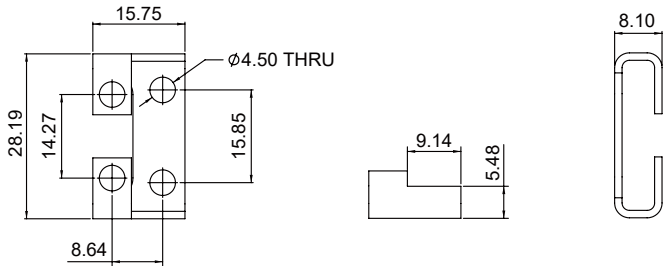
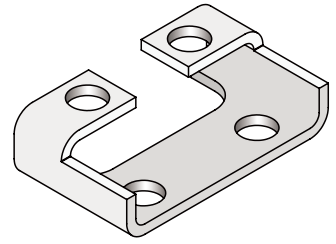


unit: mm

BRACKET

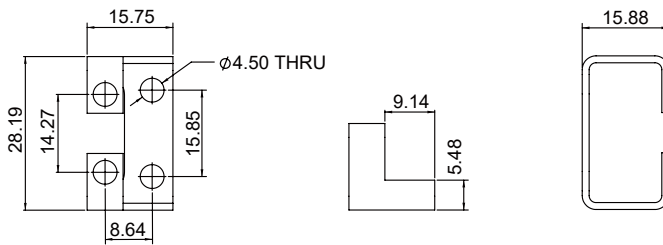
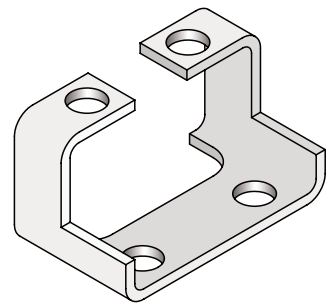
Solutions for Life

Bracket | IGC-11C-B-32227



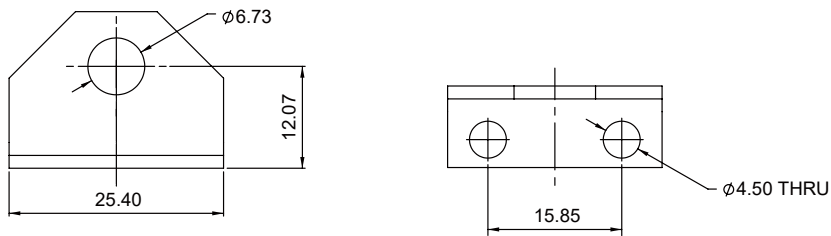
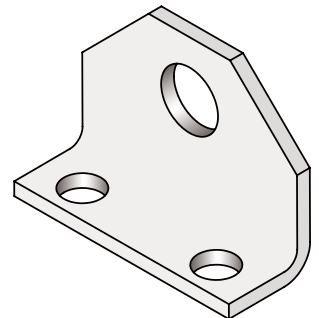
unit: mm

Bracket | IGC-11C-B-32228



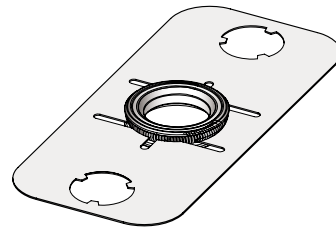
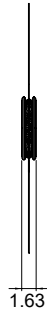
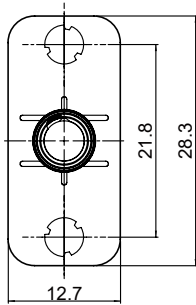
unit: mm

Bracket | IGC-11C-B-32245



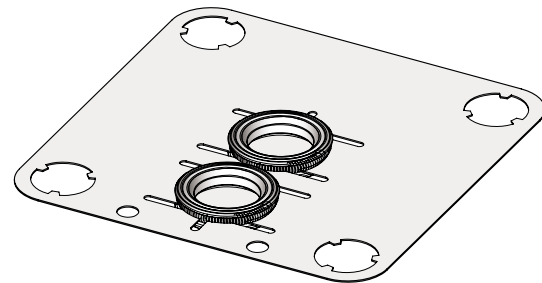
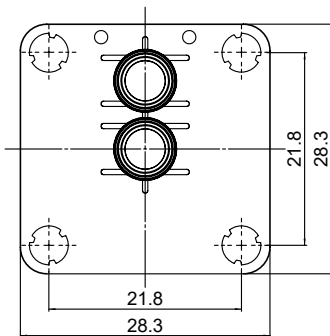
unit: mm

C-Seal | IGC-11C-1-GK



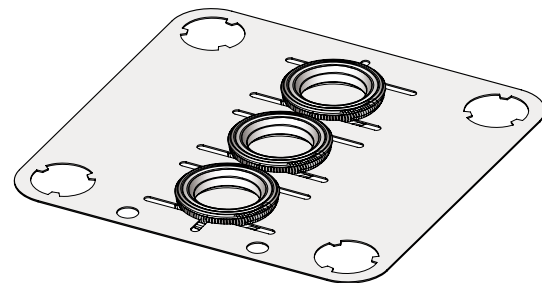
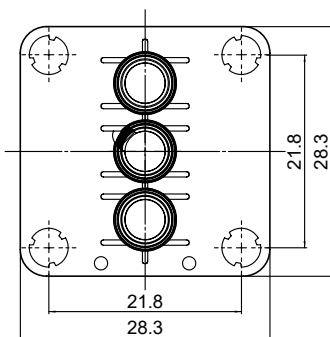
unit: mm

C-Seal | IGC-11C-2-GK



unit: mm

C-Seal | IGC-11C-3-GK



unit: mm



Genstar Technologies Company Inc.

4525 Edison Avenue, Chino, CA 91710, USA

Tel: 909-606-2726

Fax: 909-606-6485

www.gentec.com

