

German, British & Japanese Medical Gas Outlets

Features

- Colored-coded for easy gas service identification according to ISO 32
- Pressure Lid can be disassembled during maintenance
- Multiple assembly methods
- 100% tested and individually packaged
- German Standard is CE listed and compliant with ISO 9170-1 DIN 13620-2
- British Standard is CE listed and compliant with HTM 02-01, ISO 9170-1 and BS 5682-1998
- Japanese Standard is compliant with ISO 9170-1 and JIST 7101



British Standard



Japanese Standard



German Standard

Specifications

GENTEC® gas outlets are designed for delivery of medical gas from a central pipeline system. these outlets are 100% individually tested for leaks to ensure safety. The outlets fulfill ISO 9170-1 and are manufactured in an ISO 9001:2000 and ISO 13485 certified manufacturing facility.

The Inlet Pipe

- The swivel design allows the inlet pipe to be installed in six directions for ease of installation
- Multiple connections available: 90° copper tubing, 180° copper tubing, 90° flexible connection, 180° flexible connection, 90° VCR connection



Body

- Durable high quality forged brass body
- The sealing ring can be replaced without interrupting gas service to other outlets
- Body is compatible with previous model pressure lid

Gas Service Indication Ring

- Uses ISO 32 color code for differentiating gas service
- Durable and conspicuous

Pressure Lid

- Manufactured from high quality aluminum alloy
- Anodized to protect against oxidation and corrosion



Base Block

- High quality forged brass



Surface Mount
2

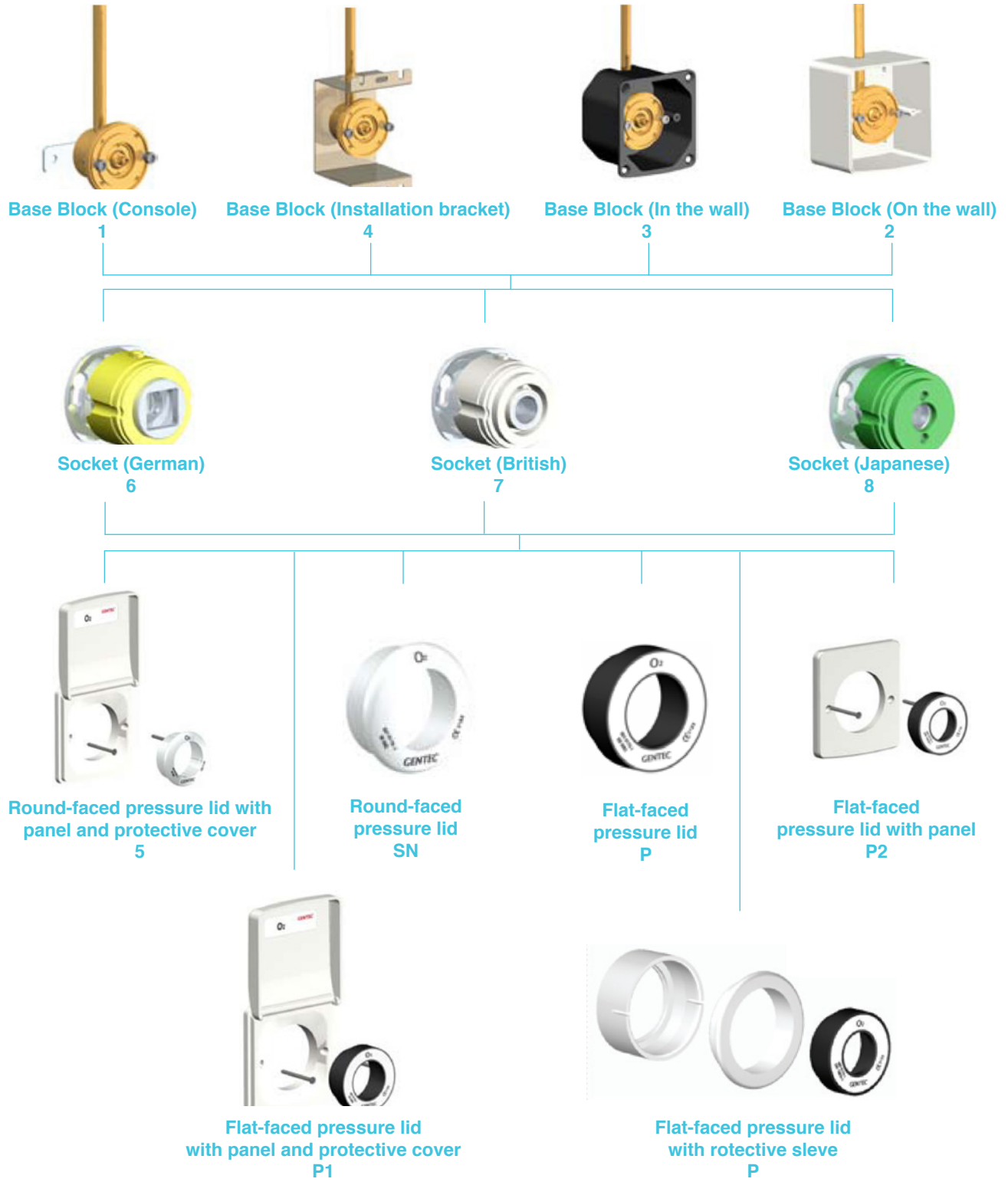


Flush Mount
3



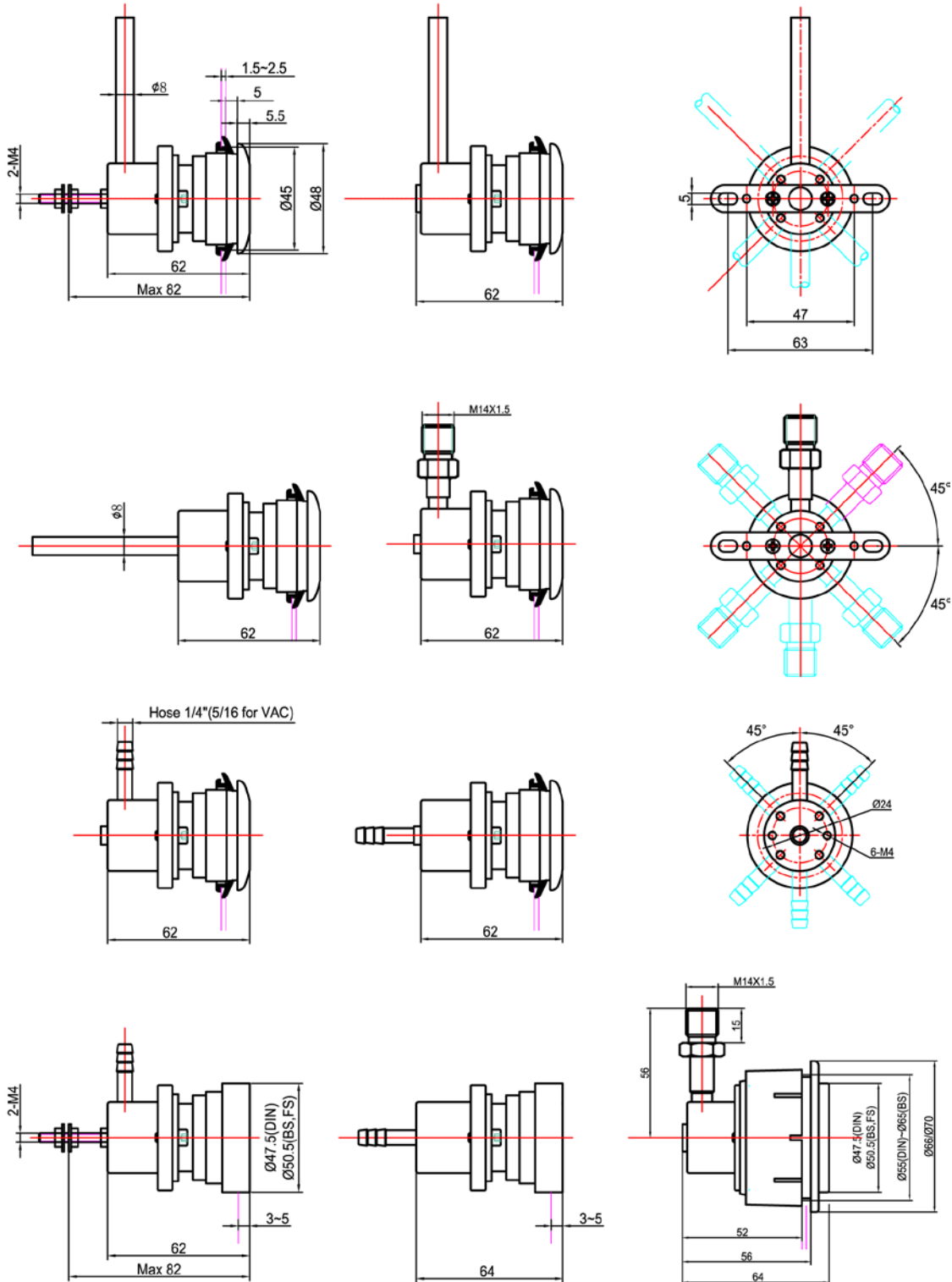
Installation Mount
4

Configuration



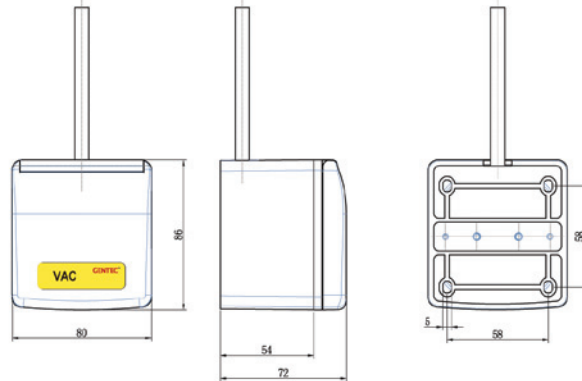
Please choose the base block, socket, pressure lid to meet your requirement(s)

Dimensions - units in millimeter(s)

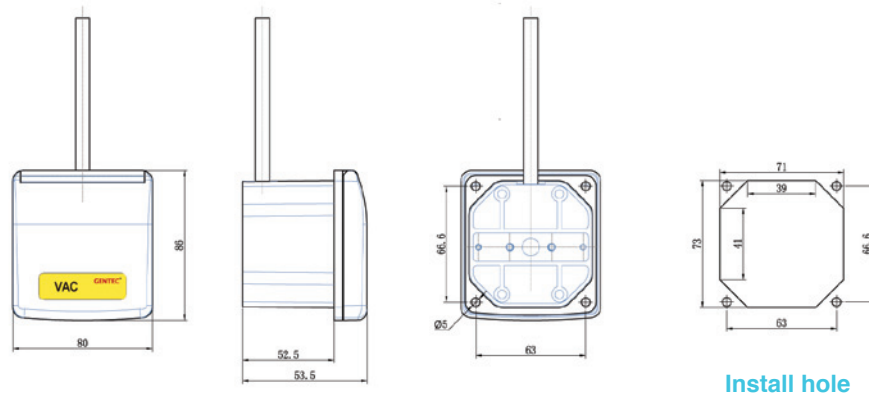


Dimensions - units in millimeter(s)

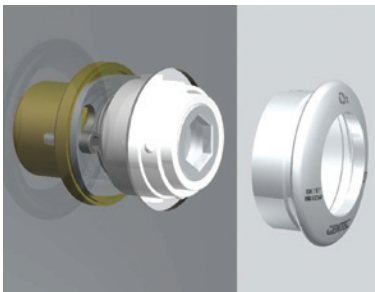
Surface Mount
2



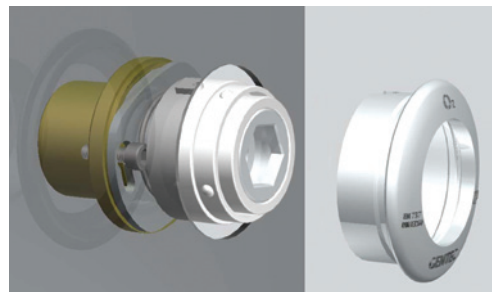
Flush Mount
3



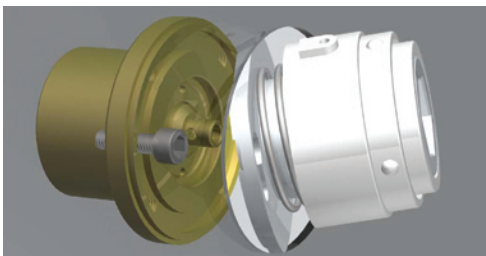
Repair Schematics



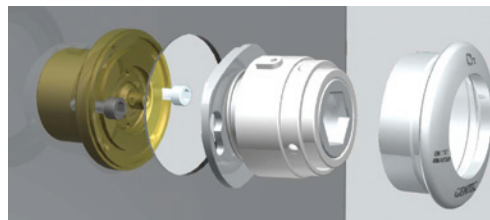
1. Pull the pressure lid off



2. Loosen the two retaining bolts 2-3 mm



3. Pull out the body at an angle



3. Replace the sealing ring without disassembling the panel mount

Ordering Information

38 Series	1 Installation	6 Type	V Gas Service	S Inlet Direction	P08 Connection	S Lid Options
	1: Console 2: Surface mount 3: Flush mount 4: Installation bracket	6: GSO 7: BSO 8: JSO	O: Oxygen V: Vacuum A: Air (400 kPa) 2: N ₂ O C: CO ₂ N:N ₂ MA7: Air (800kPa)	S: 90° R: 180°	P08: Straight, O.D. of 8mm HB4: Flexible hose: 1/4" HB5: Flexible hose 5/16" M14: Threading M14 x 1.5VCR	SN: Round-faced pressure lid S: Round-faced pressure lid with panel and protective cover P: Flat-faced pressure lid with protective sleeve PN: Flat-faced pressure lid P1: Flat-faced pressure lid with panel and protective cover P2: Flat-faced pressure lid with panel