



www.genstartech.com

CO₂ REGULATORS

Soda & Beer Industry (Beverage Industry)

Technology for a Better Future

CO2 beverage regulators

■ GENTEC CO2 beverage regulator is designed for soda and beer industries.



291C-60-W-01-10



291C-100-L-30-30

■ FEATURES

- Single stage construction
- Special diaphragm design stabilizing output pressure
- System is designed to accommodate future expansion need
- Adjustable output pressures
- Optional inlet connector dual external safety pressure relief valve

Product including:

- Primary regulators: (291c,292c series)
- Secondary regulator: (291lc, 292lc, 293lc series)
- Maximum inlet pressure:
- Primary regulators: 3000 psig(20 MPa)
- Secondary regulators: 200 psig(1.38 MPa)

■ MATERIALS

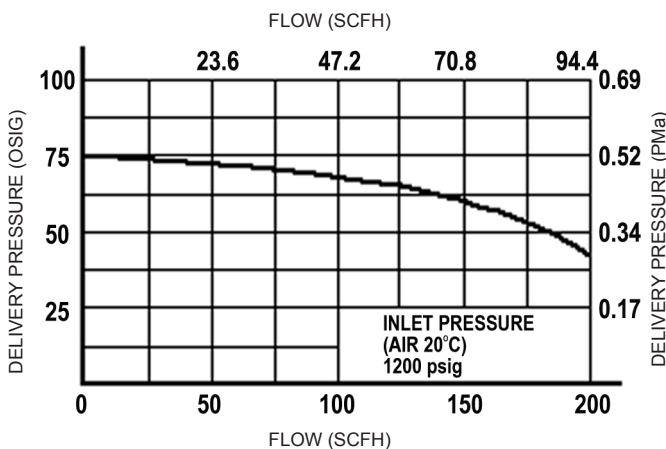
- Bonnet: HPb59-2
- Body: HPb59-2
- Seat: neoprene
- Diaphragm: neoprene



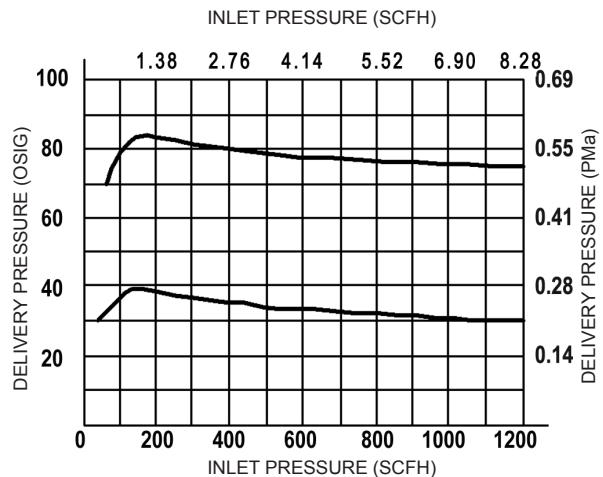
292C-160-60-HL-03-30

■ REGULATOR FLOW CHARTS

• FLOW CURVE



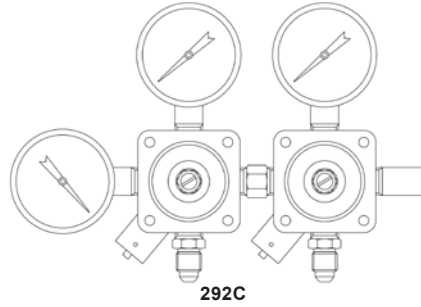
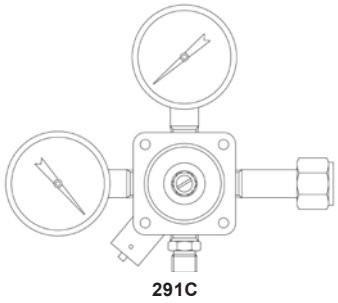
• PRESSURE CURVE



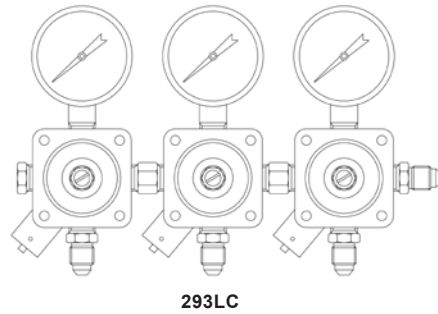
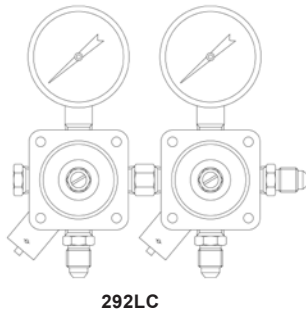
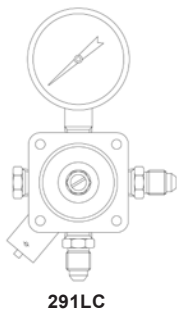
CO2 beverage regulators

PRODUCT COMPOSIT

• Primary Regulators:



• Secondary Regulators:



ACCESSORIES



ADAPTOR
ROB48F: 1/4"SAE-1/4-NPT
ROB48FL: 1/4" SAE-1/4"NPT(LH)



2" PRESSURE GAUGE
0~60, 100,160, 200 psig
0~2000, 4000 psig



BALL VALVE
Inlet: 1/4" NPT
Outlet 1/4" Hose Nipple



INLET CONNECTOR
CGA 320: 0.83"-14NGO
G5/8"-14 (FM)

ORDER INFORMATION

EX: 291C	-	160	-	W	-	01	-	10
292C	-	160 - 100	-	HL	-	03	-	30
293LC	-	160 - 100 - 30	-	L	-	02	-	30
Model Number	Outlet Pressure (Psig)			Gauge	Inlet Connection		Outlet Connection	
291C	30	30	30	W: None	01:1/4" NPT-LH(F)	10:1/4" NPT(F)		
292C	60	60	60	HL: With high & low gauge	02:1/4" NPT-LH(M)	20:1/4" NPT(M)		
291LC	100	100	100	L: With low gauge	03:CGA320	30:1/4" SAE		
292LC	160	160	160		04G5/8"(F)	40: BALL VALVE		
293LC					30:1/4" SAE			



Technology for a Better Future



Genstar Technologies Company Inc.
4525 Edison Avenue, Chino, CA 91710, USA
Tel: 909-606-2726
Fax: 909-606-6485
www.genstartech.com

Catalog# CO2-02-2010

