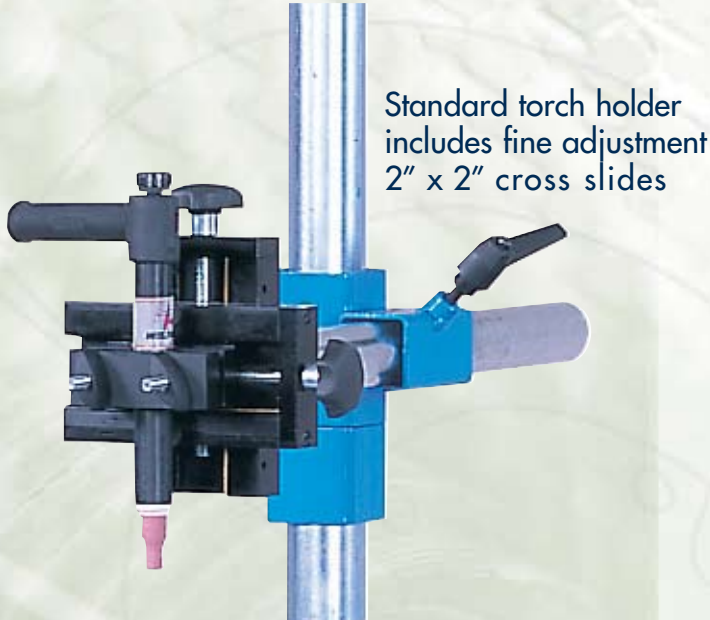


BENCHMATIC COMPONENTS

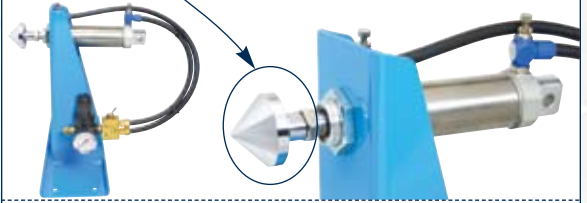
E.Z. Arc Systems



Standard torch holder includes fine adjustment 2" x 2" cross slides

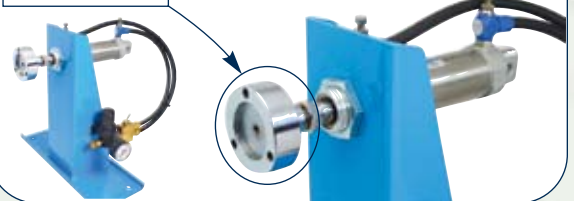
STANDARD

10-614 Live center standard fixture bearing.



OPTIONAL

10-613 Flange-adapting fixture with bearing.



OPTIONAL ACCESSORIES



AH-35

Any angle torch holder for use with Standard torch holder.

PG-150

Welding Chuck

Outside Clamp: 3/16" ~ 6"

Inside Clamp: 2" ~ 5-7/8"



PG-450

Welding Chuck 3/16" ~ 18"



PG-500

Welding Chuck

Outside Clamp: 3/16" ~ 19-5/8"

Inside Clamp: 2-1/4" ~ 21-1/4"



Visit our website for complete product offering:

Welding Positioners, Manipulators, Head & Tail Stock Assembly, Turntables, Welding Lathes, Seamers, Coil Splicers, Turning Roll Sets, CNC-Cutting Machines

BENCHMATIC COMPONENTS

Compatible with PT-102 or PT-202 Digital Positioner and CB-007-1 PLC Programmable Controller

E.Z.Arc Systems

TYPICAL APPLICATIONS

Shown with optional welding positioners, chucks, and tables

L-Type



U-Type



R and L type kits available (48", 60", 72" mounting rails)
L-kit approx max part length is 20" with 48" mounting rail

R-Type



S-Type



Welding Torch Not Included

Visit our website for complete product offering:

Welding Positioners, Manipulators, Head & Tail Stock Assembly, Turntables,
Welding Lathes, Seamers, Coil Splicers, Turning Roll Sets, CNC-Cutting Machines

www.genstartech.com



GENSTAR TECHNOLOGIES COMPANY, INC.

4525 Edison Avenue, Chino, CA 91710

Tel 909-606-2726

Fax 909-606-6485