

Anaesthetic Gas Scavenging System Operating Instructions

AGSS



☞ **Before using the unit, please read these Operating Instructions carefully and particularly observe the warnings.**

Gentec Technologies Co., Inc.

4525 Edison Avenue, Chino, CA 91710

Tel: (909) 606-2726 Fax: (909) 606-6485

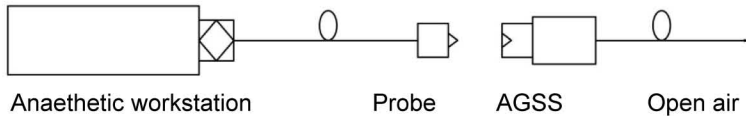
Email: www.genstartech.com

1. Warning

- Don't use oil when install and operation and maintenance, because the waste gas of Anaesthetic is include rich oxygen.
- Don't use the drive air more than 0.6Mpa, and it should damage the device.

2. Intended Use

Anaesthetic gas scavenging system(AGSS) is connected to the exhaust port(s) of an anaesthetic workstation or integrated into an anaesthetic workstation for the purpose of conveying expired and/or excess anaesthetic gas from clinical environment to an appropriate place of discharge, and ensure patient and operator safety.



3. Features

The anaesthetic gas scavenging system AGSS is in accordance with EN 737-2, EN 737-4 Type I that currently apply to the production and operation of this product.

Stainless panel and socket, aluminum assembly. Internal check valve.

Air driving venturi suction, low power consumption.

Multi Installation, Square panel, round panel, without panel and Box on wall.

4. Specifications

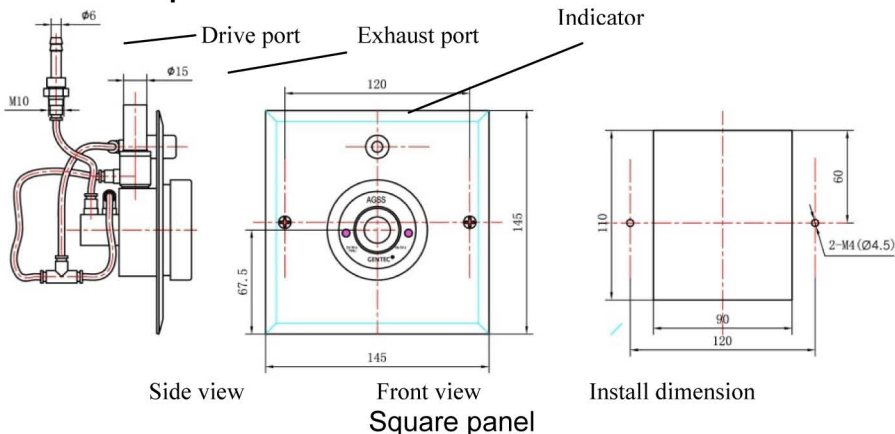
3.1 Temperature Range: 20°C~60°C, Humidity Range: 10%~95%;

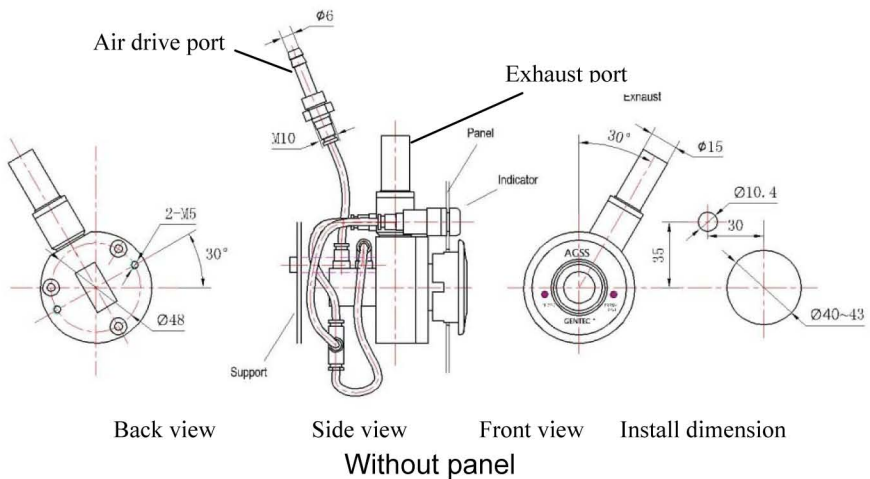
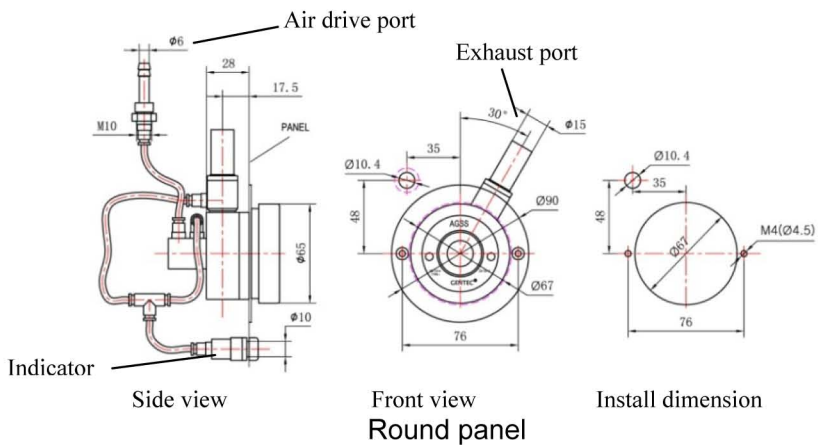
3.2 Drive gas : Air 0.4Mpa; consumption: 10~15 l/min;

3.3 Suction volume: 25~50 l/min ; Max vacuum: 150 mmHg

5. Installation

5.1 Install with panel





6. Operation

The anaesthetic gas scavenging system is started up by inserting the probe (connector) and turn on the air valve, then compress air (4 bar) drive venturi, the underpressure is generated and it is indicated by the green colour of the visual signal. The anaesthetic gas drawn off, including the driving air, is passed into the open air through the exhaust pipe.

When the probe is disconnected the driving gas inflow to the venturi is interrupted by air valve, which ceases to generate a low pressure, and the visual signal turns disappear. Simultaneously the internal check valve closes and prevents the anaesthetic gas in the exhaust pipe from flowing back.

The GENTEC AGSS type I (or complying with EN 737-4 Type I) probe should be used, because the wrong probe will cause the device working fail.

It is advantageous set a control valve between probe and anaesthetic machine.

7. Maintenance

7.1 Assembly and disassemble

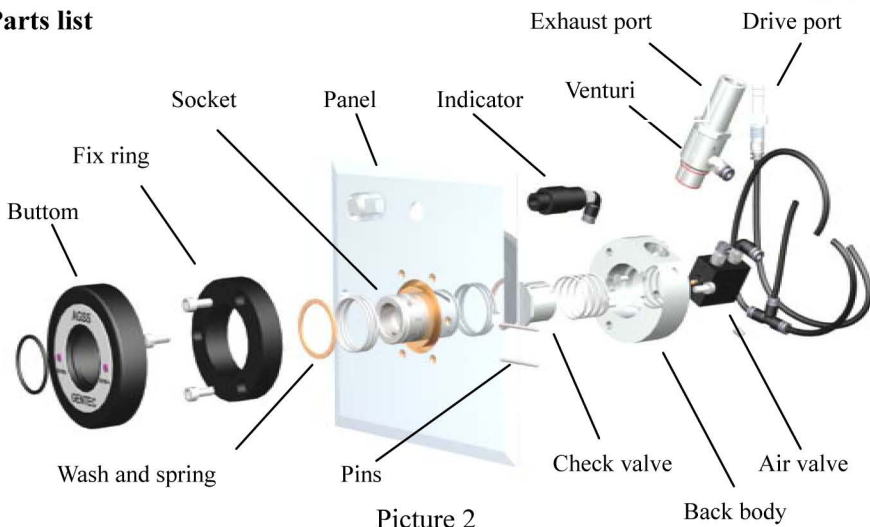


Disassemble see
Picture 1, pushing the
bottom and take out the "O"
Ring. The exploded view
see Picture 2 and 3

Pushing and take out
the "O" ring



7.2 Parts list



Picture 2



Picture 3