

## RV31, RV32 RELIEF VALVES

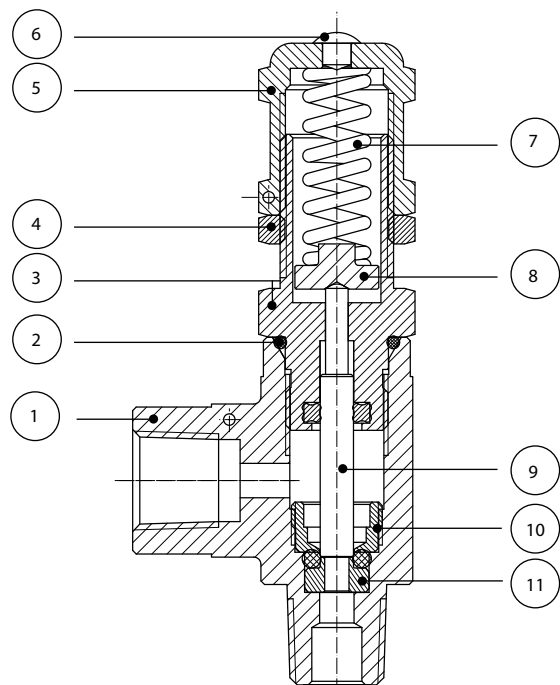


### Features

- 316 stainless steel construction
- RV31 series  
Nominal diameter: 3.6 mm  
Pressure range: 10-6000 psi (0.69~414 bar)
- RV32 series  
Nominal diameter: 6.4 mm  
Pressure range: 10-1500 psi (0.69~103 bar)
- End connections: 1/4 " and 1/2" NPT thread (standard), 1/4", 3/8", 1/2", 6mm, 8mm, 10mm and 12mm GENLOK are optional
- Replaceable springs for variable pressure range
- Color coded labels to identify spring range
- Various sealing materials such as neoprene and Buna-N are available for different applications

### Materials of Construction

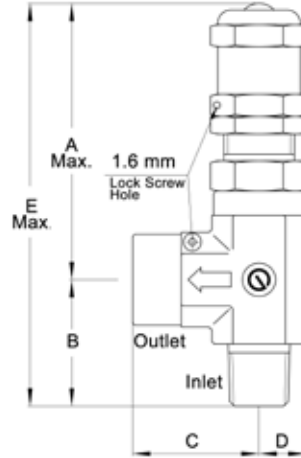
Components	Material
1 Valve body	316 SS
2 O-ring	Fluororubber
3 Bonnet	316 SS
4 Lock nut	316 SS
5 Adjusting Cap	316 SS
6 Plug	PTFE
7 Spring	Piano Wire
8 Spring Retainer	316 SS
9 Valve Stem	316 SS
10 Packing Screw	316 SS
11 Sleeve	316 SS



# Relief Valves

## RV31, RV32 RELIEF VALVES

### Dimensions



#### Metric

Model	Connection Type		Dimension (mm)					
	Inlet	Outlet	Orifice	A	B	C	D	E
SS-RV31 -TF6M	6mm GENLOK		3.6	66.5	35.8	35.8	10.6	102.3
SS-RV31 -TF8M	8mm GENLOK		3.6		35.8	35.8		102.3
SS-RV32 -TF12M	12mm GENLOK		6.4	98.5	45.8	45.8	13	143.8

#### English Units

Model	Connection Type		Dimension (in.)					
	Inlet	Outlet	Orifice	A	B	C	D	E
SS-RV31 -TF4	1/4" GENLOK		0.14	2.62	1.40	1.40	0.42	4.02
SS-RV31 -NT4-TF4	1/4" Male NPT	1/4" GENLOK	0.14		1.12	1.40		3.74
SS-RV31 -NT4-FNT4	1/4" Male NPT	1/4" Female NPT	0.14		1.12	1.12		3.74
SS-RV31 -RT4-FRT4	1/4" Male BSPT/ ISO Tapered	1/4" Female BSPT/ ISO Tapered	0.14		1.12	1.12		3.74
SS-RV32 -NT8-TF8	1/2" Male NPT	1/2" GENLOK	0.25	3.88	1.40	1.78	0.42	5.28
SS-RV32 -NT8-FNT8	1/2" Male NPT	1/2" Female NPT	0.25		1.40	1.40		5.28

### Ordering Information

SS	- RV31	R	H	- NT4	- FNT4	- XX
<b>Body Material:</b> SS: 316 SS	<b>Series:</b> RV31: 3.6 mm (Orifice) RV32: 6.4 mm (Orifice)	<b>Seal Material:</b> R: Fluororubber B: Buna-N rubber Y: EPDM	<b>Pressure Range (Factory Setup):</b> A: 10~25 (25) psi B: 25~50 (50) psi C: 50~100 (100) psi D: 100~250 (250) psi E: 250~350 (350) psi F: 350~750 (750) psi G: 750~1500 (1500) psi H: 1500~2250 (2250) psi I: 2250~3000 (3000) psi J: 3000~4000 (4000) psi K: 4000~5000 (5000) psi L: 5000~6000 (6000) psi	<b>Inlet Connection*:</b> NT4: 1/4" Male NPT .....	<b>Outlet Connection*:</b> FNT4: 1/4" Female NPT .....	<b>Custom Pressure:</b>

\* Specifications listed in table above change to. Please refer to the chart above for the available specifications for the desired connection type.