

MEDICAL GAS CONSOLE OUTLET OHMEDA® COMPATIBLE 180° TUBING

Features

- Accepts Ohmeda®, Chemetron® or Puritan-Bennett® quick connect and DISS gas specific adapters
- Indexed to prevent interchangeability of gas services
- 100% hydrostatically tested
- Complies with NFPA 99 and CGA G-4.1 standards

Specifications

Medical gas outlet(s) shall be manufactured by Genstar Technologies Co., Inc. (GENTEC®). Console outlet shall be designed for concealed piping installation and available for gas services indicated.

Outlets shall be delivered to the customer in a gas specific latch valve assembly, and a matching gas specific latch valve assembly, both cleaned for oxygen use and in sealed packages. Optional trim plates can be provided to trim each outlet assembly and allow latch valve to be individually removed for servicing.

The latch valve assembly shall be Ohmeda, Chemetron or Puritan-Bennett quick connect compatible, or have Compressed Gas Association (CGA) Diameter Index Safety System (DISS) threaded connector, and accept only corresponding gas specific type adapters. Each latch valve assembly shall be color-coded for ease of gas identification per the appropriate standards (US or ISO). Latch valve assemblies shall have gas specific pin indexing corresponding to the rough-in assembly to prevent interchangeability of gas services. Outlets can be easily converted from one adapter type to another by replacing the latch valve assembly with another of the same gas service.



Universal rough-in assembly shall include a rough-in plate (16 ga.) with gas inlet tubing silver brazed at 180 degrees to the outlet body. Inlet tubing shall be type “K” copper, 1/2” O.D. (12.7 mm), and extend 6-1/2 inches (165 mm).

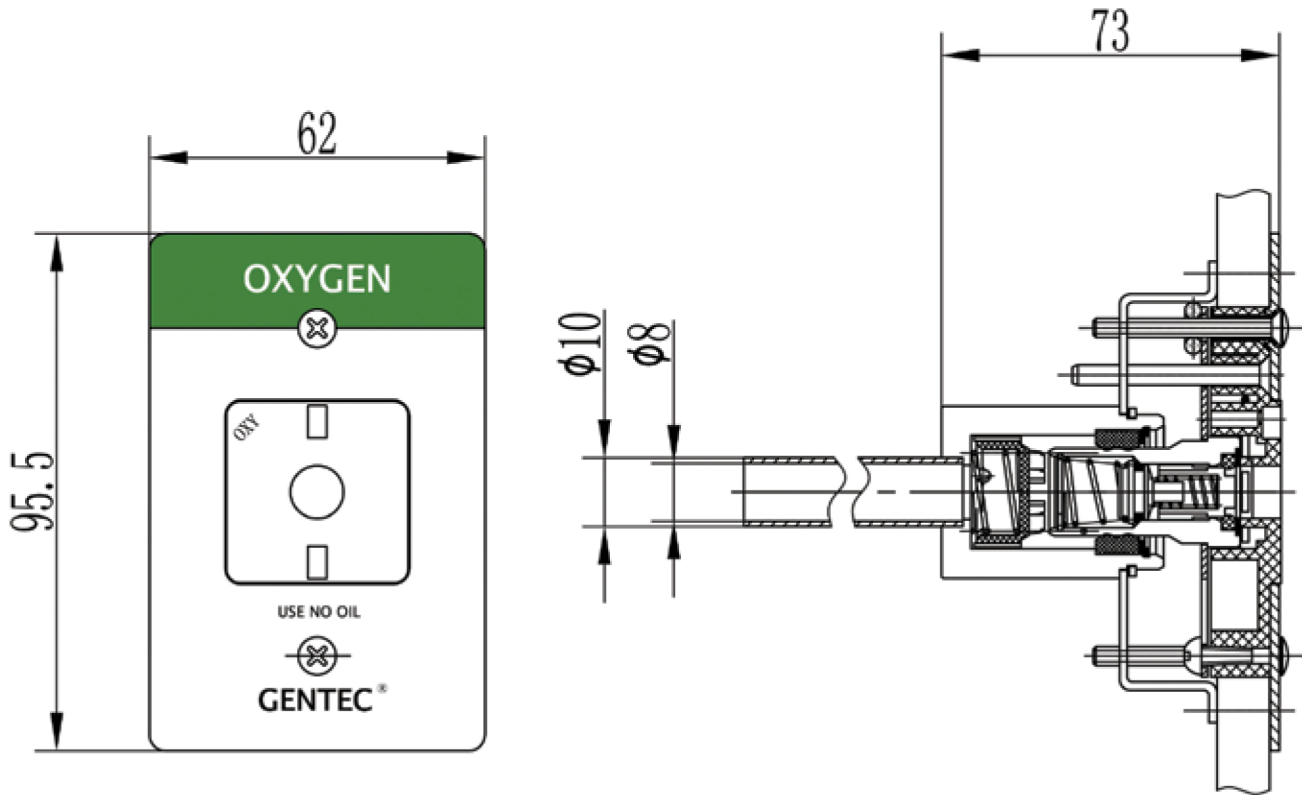
Rough-in assembly shall accept only the specified gas service by use of indexes. A dust plug shall be provided to protect rough-in assembly from contamination during handling and installation.

Rough-in assemblies shall accept any latch valve assembly of the same gas service. The latch valve assembly shall be interchangeable, allowing conversion from one connection style to another without shutting down the medical gas piping system.

All positive pressure gas outlets shall have a primary and secondary check valve, where the secondary valve in the rough-in assembly allows servicing of the latch valve assembly without having to disrupt gas service to the outlet.

All assemblies shall be 100% tested for leaks, manufactured to comply with the latest edition of NFPA 99, and UL Listed.

Dimensions



Ordering Information

Ohmeda Compatible		
Gas Service	Catalog Number	Pipe
Oxygen	3811U-O / 3811U-O-M	1/2" / φ 10 real
Vacuum	3811U-V / 3811U-V-M	1/2" / φ 10 real
Medical Air	3811U-A / 3811U-A-M	1/2" / φ 10 real
Nitrous Oxide	3811E-2 / 3811E-2-M	1/2" / φ 10 real
WAGD	3811U-W / 3811U-W-M	1/2" / φ 10 real

Material

Latch Valve	Rough-in	Trim Plate
Aluminum	Stainless Steel	ABS Plastic
ABS Plastic	ABS Plastic	
Steel/Brass+Plating		
Stainless Steel		
Brass		
Neoprene		
Rubber		

