

■ V200 SERIES CYLINDER VALVES

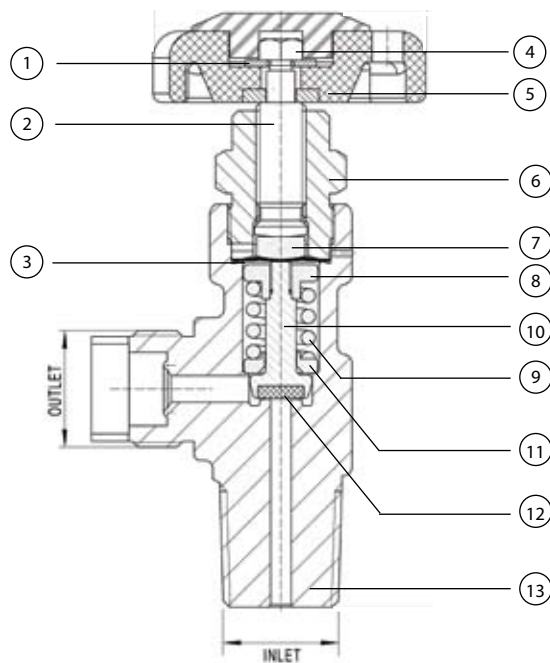


■ Features

- Maximum operating pressure: 3000 psi (207 bar)
- Internal Leakage: $< 1 \times 10^{-9}$ cc/sec He
- Operating temperature: $-4^{\circ}\text{F} \sim 158^{\circ}\text{F}$ ($-20^{\circ}\text{C} \sim 70^{\circ}\text{C}$)
- Angle pattern is the standard
- Can be mounted directly on the cylinder
- Cv: 0.3

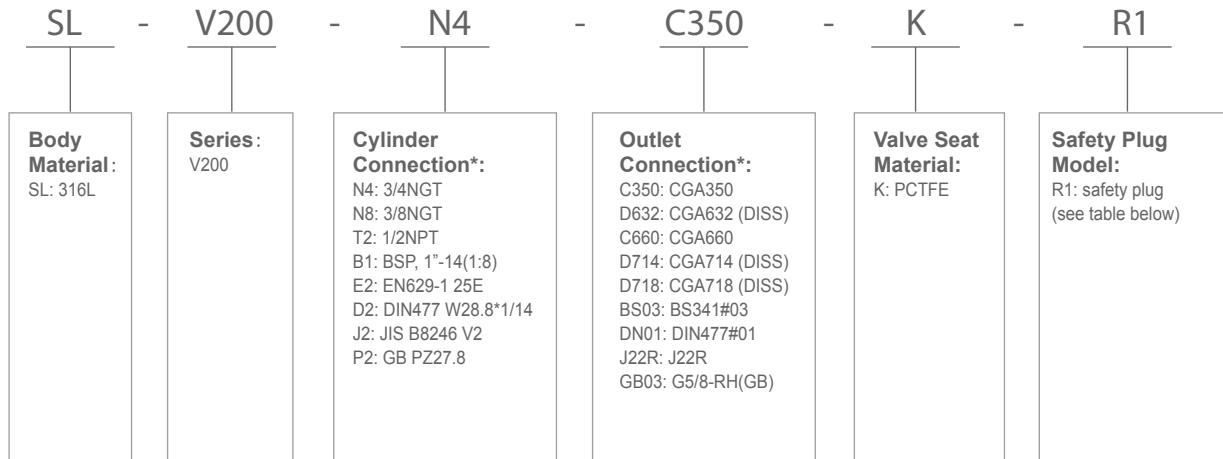
■ Materials of Construction

Components	Material
1 Gasket	304
2 Upper Valve Stem	316 SS
3 Diaphragm	316L
4 Screw	304
5 Handle	Nylon
6 Joint Nut	316 SS
7 Slip Block	316 SS
8 Upper Locating Block	316L
9 Spring	316L
10 Bottom Valve Stem	316L
11 Bottom Locating Block	316L
12 Gasket	304
13 Valve Body	316L



■ V200 SERIES CYLINDER VALVES

■ Ordering Information



* For other connections, please contact Genstar customer service.

Safety Plug Allocation Table				
Code	Remark	Features Description	Solution Temperature °F (°C)	Working Pressure psi (bar)
R1	Ni	Rupture disk type	/	2016 (139)
R2	Ni	Rupture disk type	/	2265 (156)
R3	Ni	Solution+rupture disk type	165 (74)	2016 (139)
R4	Ni	Solution+rupture disk type	165 (74)	2265 (156)
R5	Ni	Solution+rupture disk type	212 (100)	2016 (139)
R6	Ni	Solution+rupture disk type	212 (100)	2265 (156)
R7	Ni	Rupture disk type	/	1380 (95)
R10	SS	Rupture disk type	/	2016 (139)
R11	SS	Solution+rupture disk type	165 (74)	2016 (139)
R12	SS	Solution+rupture disk type	165 (74)	2400 (165)
R13	SS	Solution+rupture disk type	212 (100)	2265 (156)
R22	multicomponent alloy	Soluble washer	212 (100)	500 (35)
R23	multicomponent alloy	Fusible plug	165 (74)	500 (35)